



Realise your success with **MaxPro**



MaxPro series LED Sports High Mast Floodlight



Corrosive resistant powder coated finish
Stainless steel hardware
Chlorine resistant treated gasket

FOUR OPTICS

Advanced LED technology and proprietary optics distribute the light to the target area in a prescribed manner. This creates sites with incredible uniformity and visual comfort while requiring fewer lumens.

30° | 60° | 90° | 80°×150°

270° ADJUSTABLE
DELIVER THE LIGHT
WHEREVER YOU WANT



FIRMER ROTATING PARTS:
ENGRAVED PROTRACTOR
FOR ACCURATE AIMING

PATENT PENDING THERMAL MANAGEMENT

The proprietary patented thermal management design, ensures low LED junction temperature while maintaining its extremely light weight. It has become the go-to series by engineers and specifiers for exterior and interior applications.



AVAILABLE
from 100W
up TO 960W



EXPECTED LIFESPAN
OVER 100,000hrs



DATASHEET & IES FILES
available at
www.onorled.com



IP67 STANDARD



EASY ACCESS
DRIVER HOUSING



PC



Dimmable
0-10V Optional



Benefits

- Lighter in weight by 20-30%: Easier for handling during installation
- Modern looking Slimline design: More streamlined for better windage factor
- Unique Visor option over LED lens: Dramatically reduces visibility of light source for both player and spectator. Highly recommended for urban settings
- Laser focusing: Laser alignment for accurately focusing on the area where need to be illuminated
- Optional lm/w: Go for lower upfront cost or lower lifetime cost with the most up to date and efficient LED technology
- Angular adjustment and rotation: Easily lock the angle and rotation of the fitting to prevent misalignment from wind

Key Features

- Lumileds LUXEON 3030 2D LEDs @130lm/w or 150lm/w , 5050 LEDs @150lm/w(optional)
- Colour Temperature 2700-6500k, CRI >75,80
- Modular design, Easy assembly and maintenance
- LM79-08 compliant
- IP67 and IK10 rated
- >75,000 life time to 70% lumen maintenance
- Excellent thermal management
- Ultra-low glare and flicker free
- 5/7 years warranty optional for luminaire body, LED modules and driver
- Zigbee wireless, 0-10V, DALI and DMX dimming models optional
- Daylight&Microwave sensor, glare shield and slip fitter are available
- Surge Protectors: 10KA (SP10), 20KA (SP20)
- Marine grade coating plus 316 stainless steel components available for corrosive environments such as swimming pools and coastal regions.
- Housing color: ● Black ○ White ● Silver ● Gray

Beam Angle:

- 30° • 60° • 90°
- 80×150°

Applications:

- Sports Field
- Arena Stadiums
- High Mast
- Port/Wharf
- Container Yard
- Loading Docks
- Golf Courses
- Workshop
- Warehouse
- Industrial Area



ONOR LED Lighting

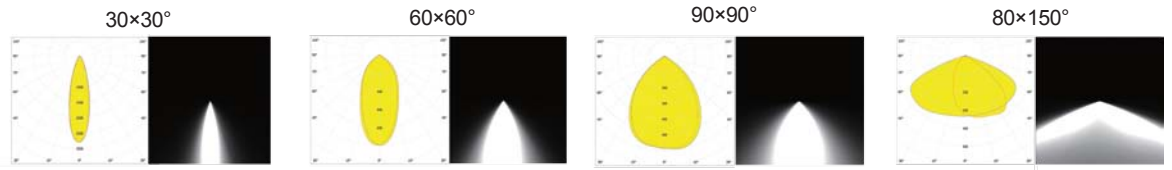
www.onorled.com

sales@onorlighting.com

+86 158 2079 9915

© Copyright 2018 ONOR LED Lighting All Rights Reserved

Optical Beam Angles

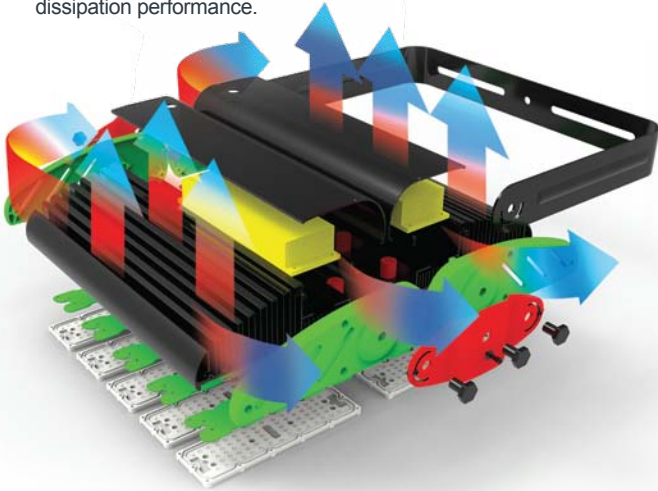


Various Installation Conditions



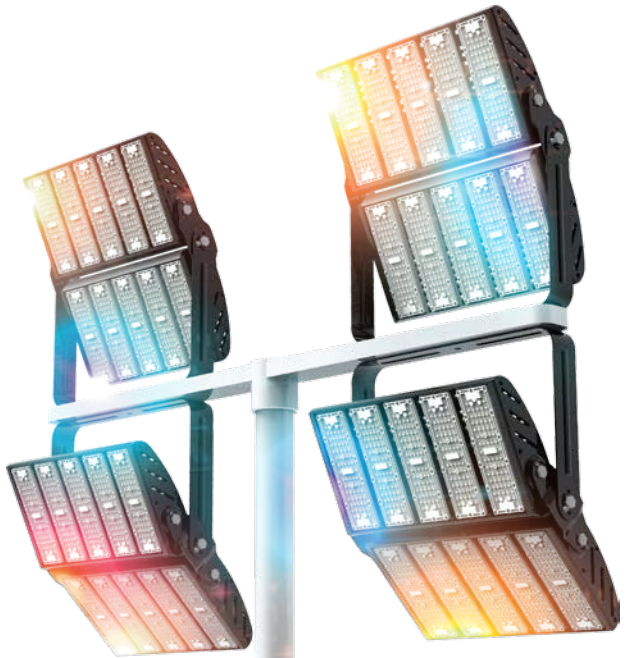
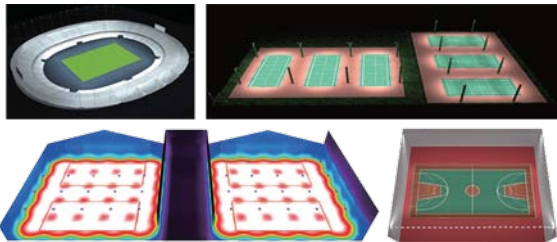
Excellent Cooling System:

The proprietary patented thermal management design and fully integrated heatsink ensures low junction temperature and maximise heat dissipation performance.



Free DIALux Lighting Design

Our 8 years experienced lighting designers can provide you professional DIALux simulations and constructive LED lighting solutions. We know lighting standards of all applications well and we care about all of your projects. Not matter your case is big or small, we will always provide you solutions.





Glare Control Shield

Our glare levels are below industry recommendations and our new glare shield practically removes glare completely. This allows for a better and more enjoyable game especially for low height poles



Laser Pointer Focusing

Contractors can now install the lighting during the day and be confident they can meet the lighting design specification with pin point accuracy. Allows for accurate repositioning should lights need to be repositioned at a later date.



Tiller Arm As Standard

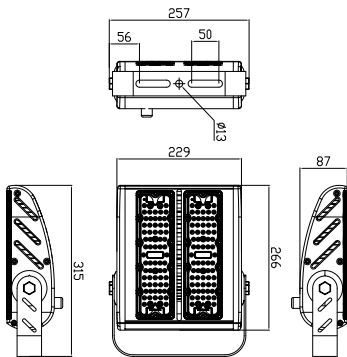
Angle rotation support: Allows for broader range of angles without losing the power of the LED. Particularly good for more uniform light over larger pitches or areas. It also optimises the space on top of the pole so you are not limited to the number of fitting you can use.





ONOR-FL-100W

LED Power: 100W
Input Voltage: AC90-305V 50/60Hz, 480VAC optional
LED Brand: Lumileds LUXEON
LED Chip Qty: 128pcs 3030 2D @ 130lm/w
 160pcs 3030 2D @ 150lm/w
 56pcs 5050 @ 150lm/w
Power Supply: TaiWan Meanwell
Luminous Flux: 13,000lm(130lm/w) 15,000lm(150lm/w)
CCT: 2700K-6500K, RGB optional
Beam Angle: 30°/ 60°/ 90°/ 80°150°
CRI: >Ra75/80
LED Junction Temperature: <70°C (@ Ta=30°C)
Working Temperature: -40°C ~ +55°C
IP Rating: IP67
EPA(Wind Area): 0.06m²
N.W.: 4.0KG **G.W.:** 4.3KG±1KG
Packaging Dimension: L330×W155×H375MM



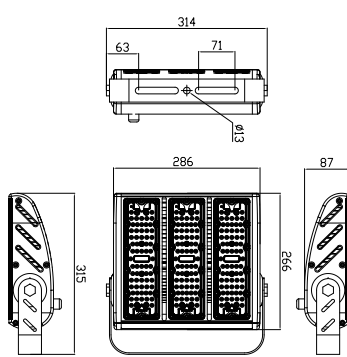
M	LUX	ΦM
4	1782	2.1
6	812	3.2
8	454	4.2
10	290	5.3

BEAM ANGLE=30x30 DEG



ONOR-FL-150W

LED Power: 150W
Input Voltage: AC90-305V 50/60Hz, 480VAC optional
LED Brand: Lumileds LUXEON
LED Chip Qty: 192pcs 3030 2D @ 130lm/w
 240pcs 3030 2D @ 150lm/w
 84pcs 5050 @ 150lm/w
Power Supply: TaiWan Meanwell
Luminous Flux: 19,500lm(130lm/w) 22,500lm(150lm/w)
CCT: 2700K-6500K, RGB optional
Beam Angle: 30°/ 60°/ 90°/ 80°150°
CRI: >Ra75/80
LED Junction Temperature: <70°C (@ Ta=30°C)
Working Temperature: -40°C ~ +55°C
IP Rating: IP67
EPA(Wind Area): 0.07m²
N.W.: 5.0KG **G.W.:** 5.3KG±1KG
Packaging Dimension: L385×W155×H375MM



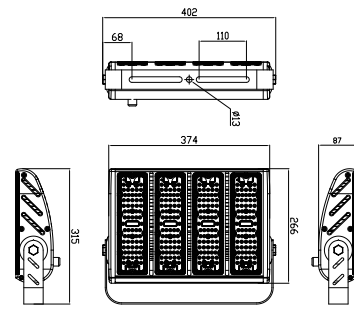
M	LUX	ΦM
4	2637	2.1
6	1210	3.2
8	680	4.2
10	434	5.3

BEAM ANGLE=30x30 DEG



ONOR-FL-200W

LED Power: 200W
Input Voltage: AC90-305V 50/60Hz, 480VAC optional
LED Brand: Lumileds LUXEON
LED Chip Qty: 256pcs 3030 2D @ 130lm/w
 320pcs 3030 2D @ 150lm/w
 112pcs 5050 @ 150lm/w
Power Supply: TaiWan Meanwell
Luminous Flux: 26,000lm(130lm/w) 30,000lm(150lm/w)
CCT: 2700K-6500K, RGB optional
Beam Angle: 30°/ 60°/ 90°/ 80°150°
CRI: >Ra75/80
LED Junction Temperature: <70°C (@ Ta=30°C)
Working Temperature: -40°C ~ +55°C
IP Rating: IP67
EPA(Wind Area): 0.09m²
N.W.: 6.1KG **G.W.:** 6.5KG±1KG
Packaging Dimension: L475×W155×H375MM



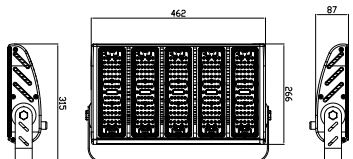
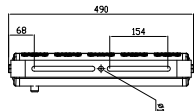
M	LUX	ΦM
4	3516	2.1
6	1614	3.2
8	906	4.2
10	579	5.3

BEAM ANGLE=30x30 DEG



ONOR-FL-240W

LED Power: 240W
Input Voltage: AC90-305V 50/60Hz, 480VAC optional
LED Brand: Lumileds LUXEON
LED Chip Qty: 320pcs 3030 2D @ 130lm/w
 400pcs 3030 2D @ 150lm/w
 140pcs 5050 @ 150lm/w
Power Supply: TaiWan Meanwell
Luminous Flux: 31,200lm(130lm/w) 36,000lm(150lm/w)
CCT: 2700K-6500K, RGB optional
Beam Angle: 30°/ 60°/ 90°/ 80°150°
CRI: >Ra75/80
LED Junction Temperature: <70°C (@ Ta=30°C)
Working Temperature: -40°C ~ +55°C
IP Rating: IP67
EPA(Wind Area): 0.12m²
N.W.: 7.2KG **G.W.:** 7.8KG±1KG
Packaging Dimension: L560×W155×H375MM



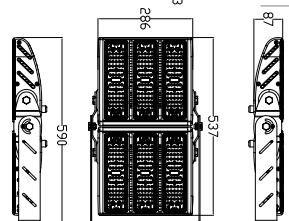
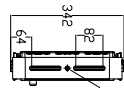
M	LUX	ΦM
4	4395	2.1
6	1999	3.2
8	1129	4.2
10	741	5.3

BEAM ANGLE=30x30 DEG



ONOR-FL-300W

LED Power: 300W
Input Voltage: AC90-305V 50/60Hz, 480VAC optional
LED Brand: Lumileds LUXEON
LED Chip Qty: 384pcs 3030 2D @ 130lm/w
 480pcs 3030 2D @ 150lm/w
 168pcs 5050 @ 150lm/w
Power Supply: TaiWan Meanwell
Luminous Flux: 39,000lm(130lm/w) 45,000lm(150lm/w)
CCT: 2700K-6500K, RGB optional
Beam Angle: 30°/ 60°/ 90°/ 80°150°
CRI: >Ra75/80
LED Junction Temperature: <70°C (@ Ta=30°C)
Working Temperature: -40°C ~ +55°C
IP Rating: IP67
EPA(Wind Area): 0.15m²
N.W.: 12.2KG **G.W.:** 13.2KG±1KG
Packaging Dimension: L402×W155×H655MM



M	LUX	ΦM
4	5275	2.1
6	2406	3.2
8	1362	4.2
10	872	5.3

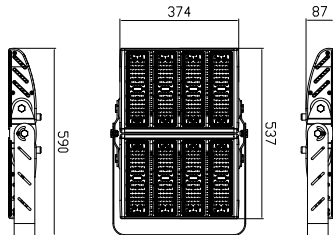
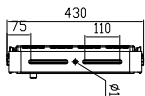
BEAM ANGLE=30x30 DEG





ONOR-FL-400W

LED Power: 400W
Input Voltage: AC90-305V 50/60Hz, 480VAC optional
LED Brand: Lumileds LUXEON
LED Chip Qty: 512pcs 3030 2D @ 130lm/w
 640pcs 3030 2D @ 150lm/w
 224pcs 5050 @ 150lm/w
Power Supply: TaiWan Meanwell
Luminous Flux: 52,000lm(130lm/w) 60,000lm(150lm/w)
CCT: 2700K-6500K, RGB optional
Beam Angle: 30°/ 60°/ 90°/ 80°150°
CRI: >Ra75/80
LED Junction Temperature: <70 C (@ Ta=30 C)
Working Temperature: -40 C ~ +55 C
IP Rating: IP67
EPA(Wind Area): 0.21m²
N.W.: 14KG **G.W.:** 15.5KG±1KG
Packaging Dimension: L490×W155×H655MM



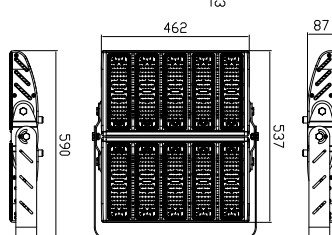
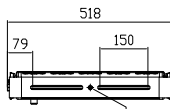
M	LUX	ΦM
4	6996	2.1
6	3201	3.2
8	1814	4.2
10	1163	5.3

BEAM ANGLE=30x30 DEG



ONOR-FL-480W

LED Power: 480W
Input Voltage: AC90-305V 50/60Hz, 480VAC optional
LED Brand: Lumileds LUXEON
LED Chip Qty: 640pcs 3030 2D @ 130lm/w
 800pcs 3030 2D @ 150lm/w
 280pcs 5050 @ 150lm/w
Power Supply: TaiWan Meanwell
Luminous Flux: 62,400lm(130lm/w) 72,000lm(150lm/w)
CCT: 2700K-6500K, RGB optional
Beam Angle: 30°/ 60°/ 90°/ 80°150°
CRI: >Ra75/80
LED Junction Temperature: <70 C (@ Ta=30 C)
Working Temperature: -40 C ~ +55 C
IP Rating: IP67
EPA(Wind Area): 0.24m²
N.W.: 15.5KG **G.W.:** 17.2KG±1KG
Packaging Dimension: L578×W155×H655MM



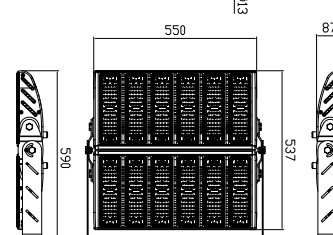
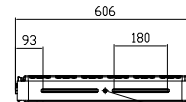
M	LUX	ΦM
4	8340	2.1
6	3872	3.2
8	2209	4.2
10	1420	5.3

BEAM ANGLE=30x30 DEG



ONOR-FL-600W

LED Power: 600W
Input Voltage: AC90-305V 50/60Hz, 480VAC optional
LED Brand: Philips Lumileds LUXEON
LED Chip Qty: 768pcs 3030 2D @ 130lm/w
 960pcs 3030 2D @ 150lm/w
 336pcs 5050 @ 150lm/w
Power Supply: TaiWan Meanwell
Luminous Flux: 78,000lm(130lm/w) 90,000lm(150lm/w)
CCT: 2700K-6500K, RGB optional
Beam Angle: 30°/ 60°/ 90°/ 80°150°
CRI: >Ra75/80
LED Junction Temperature: <70 C (@ Ta=30 C)
Working Temperature: -40 C ~ +55 C
IP Rating: IP67
EPA(Wind Area): 0.29m²
N.W.: 18.1KG **G.W.:** 20KG±1KG
Packaging Dimension: L666×W155×H655MM



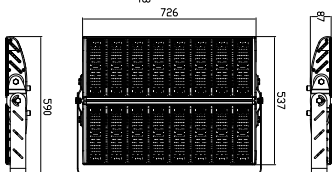
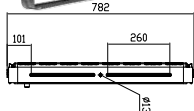
M	LUX	ΦM
4	9956	2.1
6	4623	3.2
8	2638	4.2
10	1696	5.3

BEAM ANGLE=30x30 DEG



ONOR-FL-800W

LED Power: 800W
Input Voltage: AC90-305V 50/60Hz, 480VAC optional
LED Brand: Lumileds LUXEON
LED Chip Qty: 1024pcs 3030 2D @ 130lm/w
 1280pcs 3030 2D @ 150lm/w
 448pcs 5050 @ 150lm/w
Power Supply: TaiWan Meanwell
Luminous Flux: 104,000lm(130lm/w) 120,000lm(150lm/w)
CCT: 2700K-6500K, RGB optional
Beam Angle: 30°/ 60°/ 90°/ 80°150°
CRI: >Ra75/80
LED Junction Temperature: <70 C (@ Ta=30 C)
Working Temperature: -40 C ~ +55 C
IP Rating: IP67
EPA(Wind Area): 0.38m²
N.W.: 25KG **G.W.:** 27.5KG±1KG
Packaging Dimension: L842×W155×H655MM



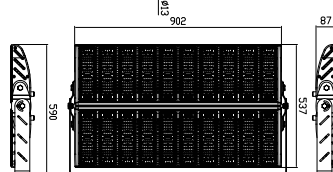
M	LUX	ΦM
4	12444	2.1
6	5778	3.2
8	3297	4.2
10	2120	5.3

BEAM ANGLE=30x30 DEG



ONOR-FL-960W

LED Power: 960W
Input Voltage: AC90-305V 50/60Hz, 480VAC optional
LED Brand: Lumileds LUXEON
LED Chip Qty: 1280pcs 3030 2D @ 130lm/w
 1600pcs 3030 2D @ 150lm/w
 560pcs 5050 @ 150lm/w
Power Supply: TaiWan Meanwell
Luminous Flux: 124,800lm(130lm/w) 144,000lm(150lm/w)
CCT: 2700K-6500K, RGB optional
Beam Angle: 30°/ 60°/ 90°/ 80°150°
CRI: >Ra75/80
LED Junction Temperature: <70 C (@ Ta=30 C)
Working Temperature: -40 C ~ +55 C
IP Rating: IP67
EPA(Wind Area): 0.49m²
N.W.: 29.1KG **G.W.:** 31.6KG±1KG
Packaging Dimension: L1020×W155×H655MM



M	LUX	ΦM
4	15555	2.1
6	7222	3.2
8	4121	4.2
10	2689	5.3

BEAM ANGLE=30x30 DEG

Where MaxPro Is

Our latest MaxPro LED sports light dramatically improves on our already very successful range of sports lighting products. Not only will they reduce the time required to install the fittings, our new design allows for more flexibility in how you can use the light to deliver greater uniformity and power over a wider area, all from a single unit. Depending on our application we have many additional features which make our range the best in the market for both the end user and the spectator. Our glare levels are below industry recommendations and our new visors practically removes glare completely. This allows for a better and more enjoyable game.

